





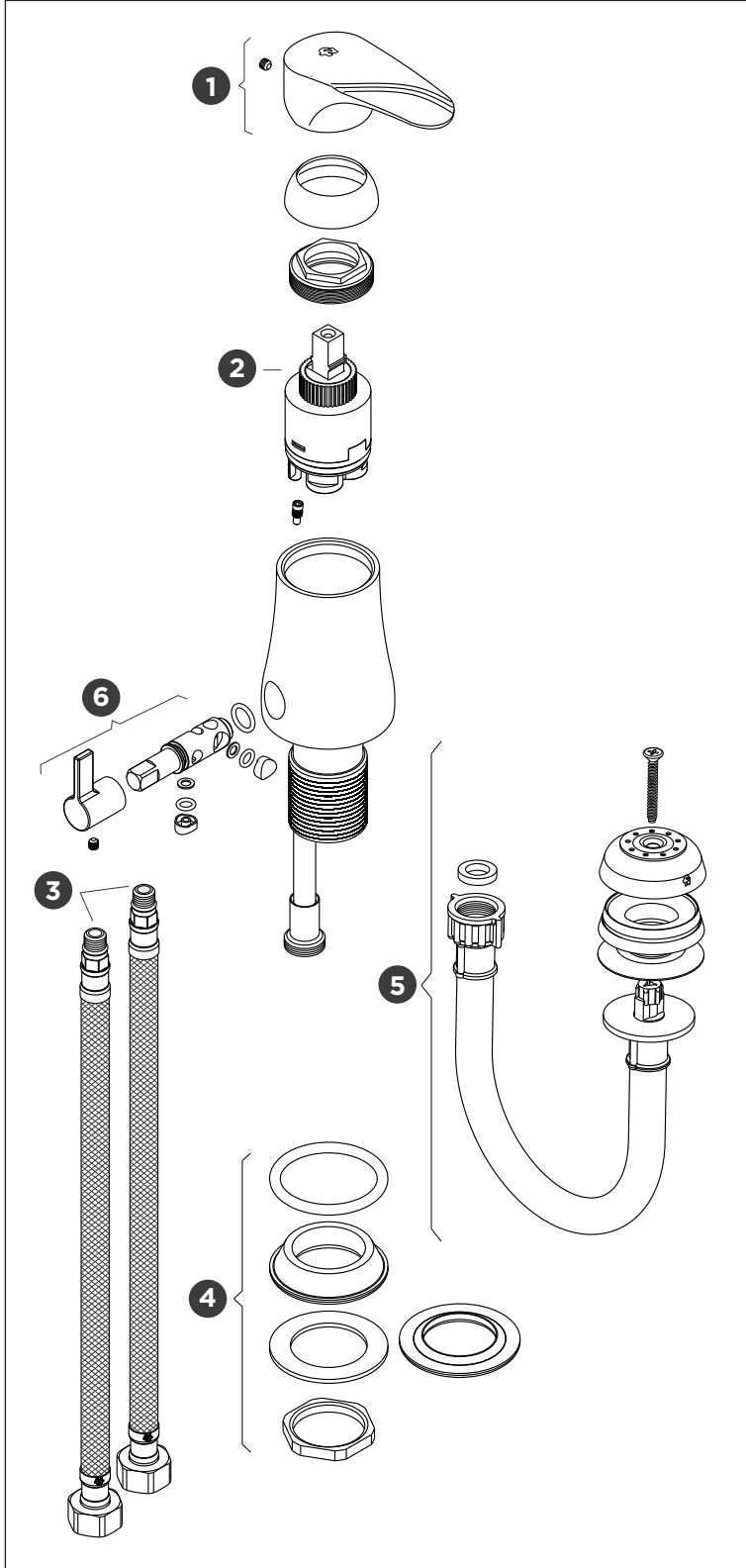
# IGUAZÚ

Spare parts sheet

Code Z189/L5



## Diagram



## Code Denomination

Code	Denomination
1 Z181/L5.14.0-R	Complete handle
2 Z411.01.25.0-WD	Ø 35mm Cartridge
3 Z181/L5.20.0-D	Flexible hose M10 x 1
4 Z189/B1.8.0-D	Fixation set
5 Z295/15.1.0B-D	Bidet shower
6 Z189/D9.5.0A-D	Complete diverter

To request the spare parts please contact the Sales department.

## About us



Bernardo de Irigoyen 1053 - B1604AFC  
Florida - Pcia. de Buenos Aires - Argentina  
Tel.: +54 (011) 4730-5300

## Contact

Web: [www.grupofv.com](http://www.grupofv.com)  
E-mail: [contacto@grupofv.com](mailto:contacto@grupofv.com)  
Facebook: [Grupofvoficial](https://www.facebook.com/grupofvoficial) Instagram: [grupofvoficial](https://www.instagram.com/grupofvoficial)

ALLWAYS USE  
ORIGINAL  
FV SPARE  
PARTS

